

slatwall range

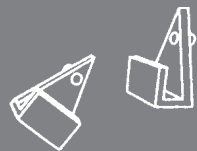


SLATWALL UNIT

Many retail environments use slatwall as a form of display. Made from medium density fiber board with horizontal aluminium strips inserted, this system offers another dimension in display options - versatile, clean and easily adjustable. A variety of clips and brackets are available for implementing the attachment of the shelves or holders. Another option is to have a molded fitting included into the shelving when fabricated.

clips and attachments

SLATWALL CLIP (CL1)



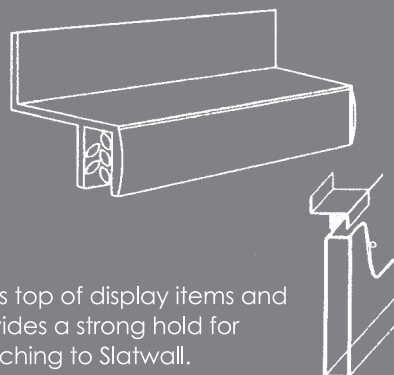
Enables second wall mountable holder to attach/suspend to another wall holder.

SLATWALL CLIP (CL2)



Enables wall mountable holders to clip onto slotted wall systems.

SLATWALL BAR MOUNT (SBC)



Grips top of display items and provides a strong hold for attaching to Slatwall.

SLATWALL PEG (SLATEX)



Wire adaptor for slatted walls and pegboards.